



**GOTRAX**

**G5**

ELECTRIC SCOOTER

**USER MANUAL**



# Congratulations on your purchase!



**GOTRAX**

This user manual will help you assemble and operate your new electric scooter. Be sure to read **ALL OF THE INFORMATION** in this manual before riding.

**NOTE TO ALL RIDERS UNDER 18 YEARS OF AGE;**  
It's very important that you get parental permission before riding your electric scooter.





# Don't Ride Until You Read This



**Always** wear a helmet when riding your electric scooter.



Make sure your scooter has a **full battery** before taking it out to ride.



**Always** be aware of local road laws, and follow them.



**Do not** ride the scooter under the influence of drugs or alcohol.



**Always** respect pedestrians.



**Do not** ride under wet conditions. The scooter may slide from under your feet causing injury. Wet conditions may damage the electronics and void the warranty.



## Warning Message

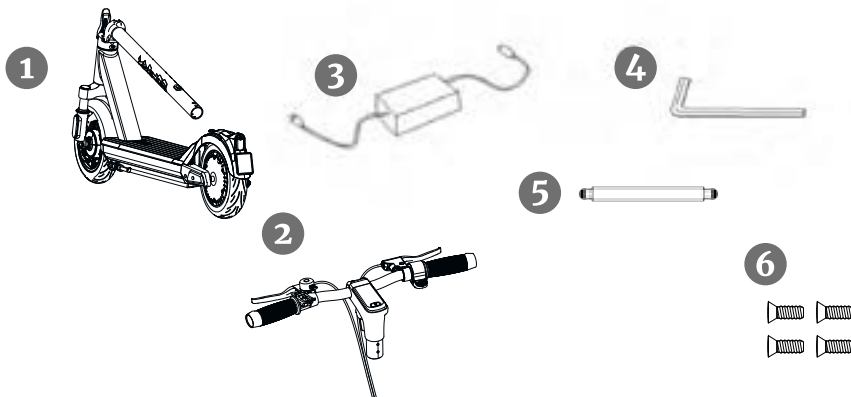
1. **Avoid water** - The scooter is not waterproof. The electronics may be damaged due to water and water damage is not covered by our warranty. Riding in wet conditions is also very dangerous and may result in injury.
2. **Abuse** - We do not cover physical damage due to negligent care and extreme riding.
3. **Whenever** you ride the **GOTRAX** electric scooter, you risk severe injury or even death from loss of control collisions, and falls. Use caution and ride at your own risk.
4. **Do not** modify the product from the manufacturer's original design.
5. **Keep** hands and all body parts away from moving parts while operating the scooter.
6. **Before riding** - be sure to check the scooter over and make sure the scooter is operating correctly before each use.
7. **Before riding** - be sure to check that the braking system is functioning properly; also be sure to check that all safety labels are in place and you understand the safety warnings.

8. **Before riding** - be sure that any and all axle guards, chain guards, or other covers or guards supplied by the manufacturer are in place and in serviceable condition.
9. **Before riding** - be sure to check that the tires are in good condition, inflated properly, and have sufficient tread remaining.
10. **Never** exceed the 264 lbs (120kg) maximum load rating.
11. The electric scooter should never be used by children under the age of 13.
12. **Maximum Speed** - Your electric scooter goes the maximum speed of 20 mph (32 km/h).

# Unpack

**You should find each of these items in your box:**

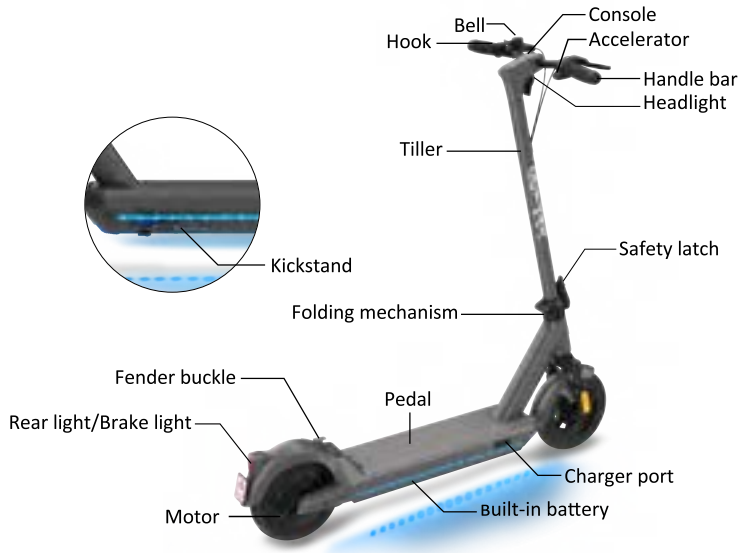
1. Electric Scooter
2. Console & Handlebars
3. Approved Power Adapter / Charging Unit
4. 4mm Allen Wrench
5. Tire Gauge Pipe
6. Screws (x4)



Remove all packaging material, then inspect each item for any accidental damage that may have occurred during shipping.



# Get To Know Your Scooter



The electric scooter comes partially assembled.

## Specifications

Top Speed:	20 mph
Distance per Charge:	24.8 miles
Weight Range Up To:	264 lbs (120kg)
Battery Type:	48V 10Ah
Battery Charger:	DC 54.6V 2A
Charge Time:	About 5.5 hours
Motor Power:	500W
Power Requirements:	AC 100-240V~50/60Hz 2.5A

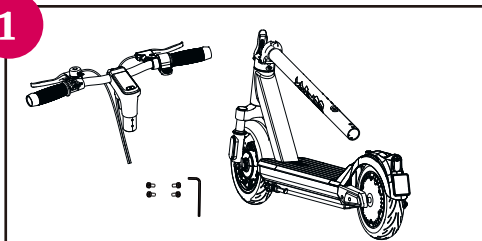




# Assemble Your Scooter

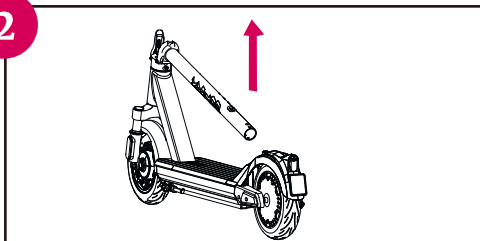
Tool requirements: 4mm Allen wrench (In the package)

1



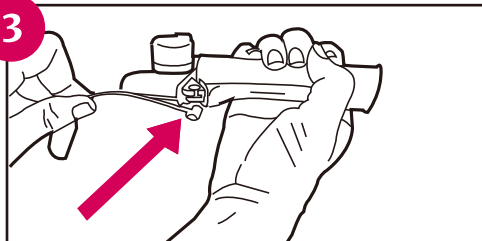
Take out the scooter, console, and assembly tools(wrench and screws) from the box. Check the parts list to confirm that the parts are not damaged or lost during transportation.

2



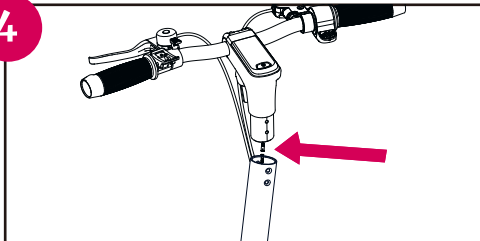
Lift the tiller upright (as shown in the figure). Once the scooter is locked in the upright position, verify by gently trying to fold.

3



Pull the handbrake towards you and insert the round metal piece into the opening. String the small silver cord through the solid piece of the handbrake. Make sure the metal piece on the brake cord is pushed fully into the handbrake.

4



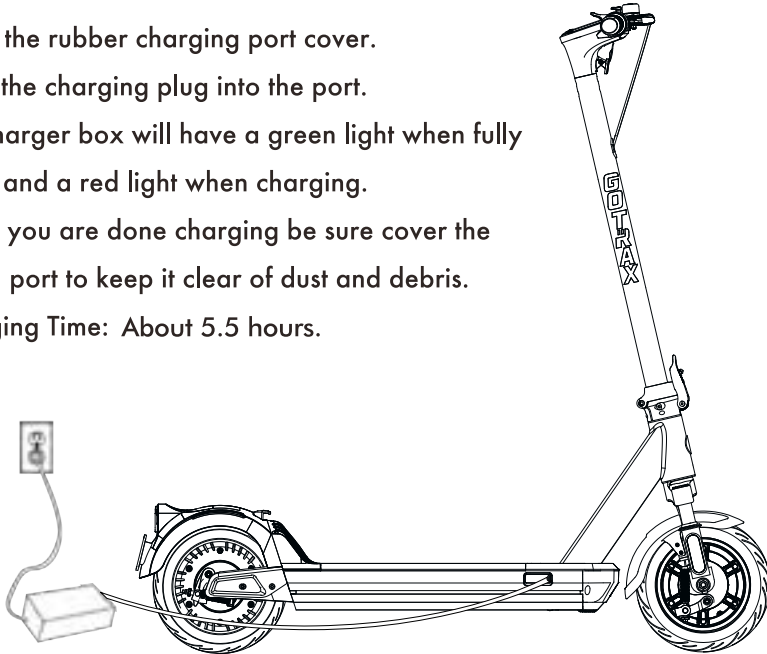
Connect the power cord between the tiller and the console, then insert the console above the tiller until the screw holes on the tiller and console are aligned, install the screws on the screw holes of the tiller and tighten with a wrench.



# Charge Your Scooter

**Before using the scooter, you must fully charge the battery.**

1. Open the rubber charging port cover.
2. Insert the charging plug into the port.
3. The charger box will have a green light when fully charged and a red light when charging.
4. When you are done charging be sure cover the charging port to keep it clear of dust and debris.
5. Charging Time: About 5.5 hours.




**Charging Requirement:** Make sure to charge your scooter in conditions that do not exceed 104 degrees Fahrenheit or below 32 degrees Fahrenheit.

Use only original charger.



# Scooter Console Functions

**On/OFF machine:** Long press 3 seconds the power button to turn on/off, the buzzer will "di" sound, and the scooter will shut down automatically after 5 minutes without any operation.

**Shift gears:** Press the power button to change gears. The speed is 0-3 MPH in pedestrian mode in 1st gear (  ), 0-15.5 MPH in icon speed in 2nd gear (D), and 0-20 MPH in icon speed in 3rd gear (S).

**Light:** Press the power button twice continuously to turn on and off the headlights and taillights (taillights are slightly bright), the taillights are highly bright when braking, and the atmosphere lights are automatically lit when starting (breathing light).

**Process unit display switch:** press the power button three times.

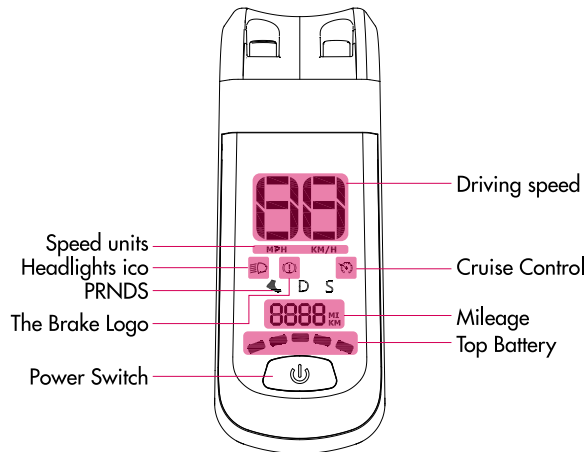
**Fixed cruise:** Keep the throttle at the same speed for 8-10 seconds, the buzzer will emit a "di" sound, and the fixed cruise icon will light up at the same times to enter the fixed cruise mode. You can exit the cruise mode by twisting the throttle, brake or changing gears again.

## **Password lock function:**

1. After starting up the scooter, press the throttle once and reset it to increase the password figure, braking the brake handlebar once and reset it to decrease the password figure, click the power button to switch the password number, double-click the power button to confirm that the password input is complete, the standard password is 000.

2. Turn it on again with password status, enter the correct password and press the power button 4 times within 10 seconds to enter the password change mode , on the change password mode even 4 times the power button, or 1 minutes without any operation , the new password will not saved and exit the mode , even in cipher amending mode according to the power button twice, save the modified password and exit the mode.

3. In the password off mode, press the power button 6 times to enable the password function. In the password on mode, press the power button 6 times to disable the password function.





# Riding Tips

1. You will want to start riding your electric scooter with one foot on the platform and one foot on the ground. Use your foot on ground to push off and at the same time, press the throttle button to begin movement.
2. Press the handbrake to slow down or stop.
3. The scooters perform best when on a smooth surface e.g. car parks, smooth roads, footpaths, & bike lanes.
4. Always clean your scooter (wheels, platform..etc.), it's a machine and it needs to be maintained.
5. Do not press the throttle while walking with the scooter beside you.
6. Be aware of the terrain you are riding on, watch out for curbs and obstacles!
7. Cruise Control: To activate the cruise control press the right-hand throttle down for 8 seconds. To deactivate the cruise control press either the right-hand throttle or brake button to deactivate the cruise control.
8. Brake Light Status: The taillights is also the brake light. When you turn on the headlight, the brake light will steady on. When you hold the handlebrake, The taillights will be highly bright, reminding the vehicles and pedestrians behind.

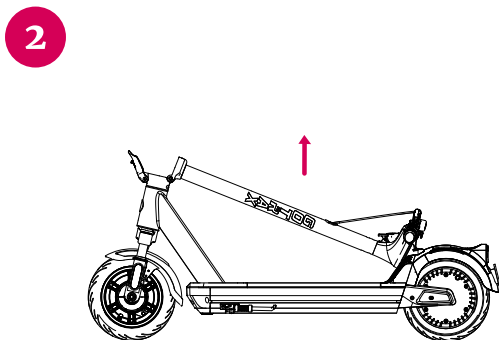


# Putting Your Scooter Away/Folding

Before folding the scooter, make sure that the scooter is powered off.

**Folding:** Ensure the electric scooter is powered off, hold the tiller and pull out the spring pin on the right folding panel then rotate the spring pin clockwise. Insert the hook on the tiller into the loop on the pin clockwise. Insert the hook on the tiller into the loop on the rear fender buckle. You may hear a click which indicates that you were successful in folding and locking the scooter.

**Unfolding:** Press the rear fender and pull the tiller up to unfold the electric scooter, the spring pin will insert itself in place within the folding lever to lock the folding mechanism.



# Maintenance & Repair

**If you regularly clean and maintain your electric scooter, it will extend its life.**

**Cleaning and storage:** If the scooter is dirty, wipe it clean with a soft damp cloth.

**Brake Adjustments & Service:** If you notice you need brake adjustments or any service on your scooter, contact our customer service team and we will adjust and repair your scooter. Do not repair your scooter yourself, yourself, this can void your warranty and you risk damaging the scooter.

**Tires:** If you notice that the tire pressure is low, please fill to the recommended PSI on the side of the tire. Recommended **PSI: 50**

**DO NOT** use alcohol, gasoline, kerosene, or other corrosive chemical solvents to clean the scooter. It can severely damage the appearance and structure of the scooter. Please do not use a pressure washer as it may also cause damage to the electronics.

**Storage:** When you're not using your scooter store in a dry and cool location. Avoid storing your scooter outdoors because sun exposure can damage it's appearance and may cause wear on the life of the battery and tires.

**Tightening the Tiller:** If you notice that the tiller is loose or wiggles while riding, you can tighten the screws. Open the plastic cover, and use the Allen wrench to tighten the screws as shown in the figure below. (Figure 1)

**Brake adjustment:** If the brake is too tight against the brake, turn the brake cable nut counterclockwise to loosen the brake cable, if the brake is too loose, turn the brake cable nut clockwise to tighten the brake cable. (Figure 2)

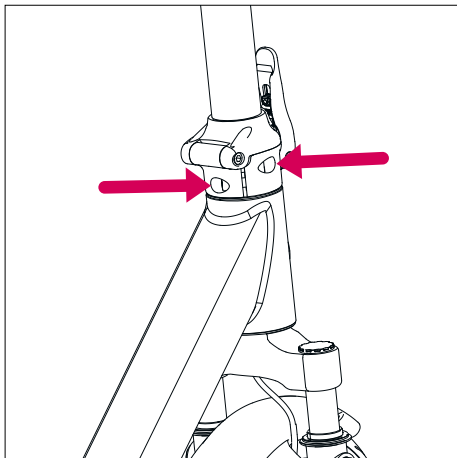


Figure 1

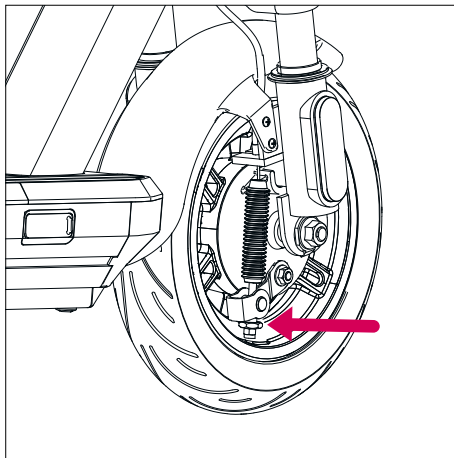


Figure 2





# Battery Information

Only use the approved **GOTRAX** power adapter to charge your scooter, others may cause risk of fire & equipment may be damaged.

Improper disposal of used batteries may seriously pollute the environment. Please comply with local disposal regulations.

Make sure to store your scooter and power adapter in conditions that do not exceed 122 degrees Fahrenheit or below -4 degrees Fahrenheit.

**Warning** - Risk of Fire - No User Serviceable Parts, The prolonged exposure to UV Rays, Rain and the Elements may damage the enclosed materials, store indoors when not in use.

# Troubleshooting

We frequently update our user manuals at **www.GOTRAX.com**, and reserve the rights to update and change manuals online.

Please contact our customer service team if you are experiencing problems or need more detailed information.

They can be reached at **www.GOTRAX.com**.

# Warranty

For warranty information, contact us by mail: **www.GOTRAX.com**.



WWW.GOTRAX.COM

#RideGOTRAX





# **GOLABS, INC**

GOTRAX.com  
2201 Luna Rd.  
Carrollton, TX 75006